

EXCLUSIVE PARTNERS



REPLACEMENT PARTS SOLUTION FOR

HITACHI **KOMATSU** **SANY**

HYUNDAI **JCB** **VOLVO**

KOBELCO **CAT** **JIC** HYDRAULICS

NOTE: ALL THE OEM'S (ORIGINAL EQUIPMENT MANUFACTURER) NAMES, LOGOS, IMAGES ARE USED ONLY FOR REFERENCE PURPOSE ONLY. WE DO NOT CLAIM ANY OWNERSHIP OR RIGHTS OVER THEM.

MHP

BANGALORE (KARNATAKA) HEAD OFFICE

Mainland Heavy Parts Pvt Ltd.

Plot No : 36, KIADB Industrial Area, 1st Phase, Dobbaspet,
Sompura, Nelmangala Taluk, Bangalore 562111, Karnataka (India)

☎ +91 80 27734110 / 27734118

☎ +91 70226 20021

✉ bangalore@mhpspares.com

MUMBAI (MAHARASHTRA)

Mainland Heavy Parts Pvt Ltd

Gala no 12, Building No D-8, Shree Arihant Warehousing Complex,
Kalher Village, **Bhiwandi**, Thane 421302, Maharashtra. India.

☎ +91 2522 277400 • 277391 • 662737

✉ mumbai@mhpspares.com

SALEM (TAMIL NADU)

Mainland Heavy Parts Private Limited,

Old No: 3/865, New No: 1/427, K.A.S Nagar, ThanniThotti,
Kottagoundampatty (Post), Omalur (TK),
Salem(Dist) 636 011, Tamil Nadu.

☎ +91 4290- 222529

☎ +91 96774 45529

✉ salem@mhpspares.com

🌐 www.mhpspares.com

MHP™

**THE SPECIALIST IN UNDERCARRIAGE,
GROUND ENGAGING TOOLS & PARTS**

www.mhpspares.com

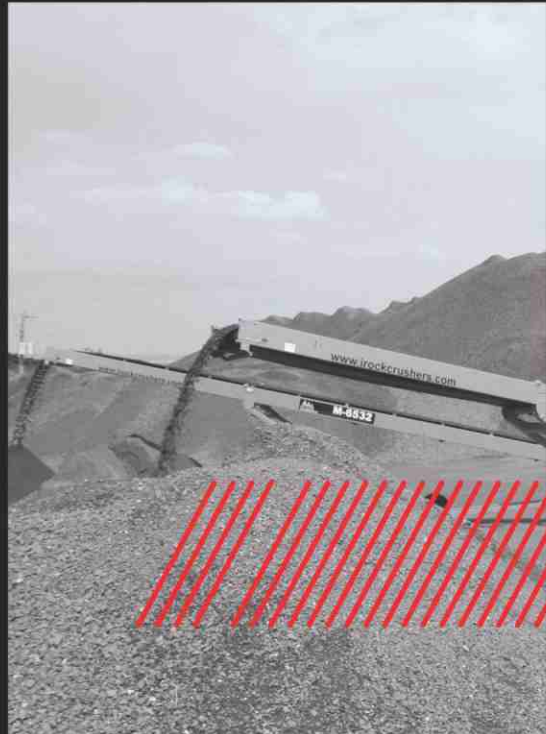


MHPTM
FOR HIGH PERFORMANCE



WE PROUDLY STAND BEHIND OUR PRODUCT.

- GIVING THE BEST WHAT INDUSTRY DESERVES
- ASSOCIATION WITH THE GLOBAL MANUFACTURERS ADAPTING TO CONSTANT INNOVATION AND R&D
- TO WORK ON CUSTOMER FEEDBACK AND KEEPING CLOSE CONNECTION WITH THEM TO ENSURE IMPROVED SOLUTION



MHP



A Company of
thyssenkrupp Group

ABOUT US

MHP - Mainland Heavy Parts Pvt Ltd is a joint venture between 3 business families. Namely, **Mr. Aravinda Belludi**, running his other companies, **A. S. Precision Gears Pvt Ltd**, which is a manufacturing company engaged in producing Pins & bushes & other miscellaneous products for various excavators. And the other one under the name of **A. P. Enterprise**, which is involved in the business of JIC-Korea Pumps, Swing Motor & travel Motor Parts as Sole exclusive distributor for Indian sub-continent.

Mr Sanjay Jogani & Mr Nilesh Jogani, running their other companies, **Track & Trakto** (Mumbai - since 1992) and **Track parts Distributors** (Kolkata - since 1969), which are trading companies involved in imports and distribution of spares for all types of earthmoving and mining equipment. They specialize into products & services pertaining to engines, Transmissions, Hydraulics & brake systems, Chassis parts.

Mr Chandrasekhar Bahirwani & Mr Siddharth Bahirwani, running their other company as **Genuine Spares Co** (Mumbai - since 1987), which is a trading company involved in imports and distribution of spares for all types of earthmoving & mining equipment. They specialize into spares pertaining to engine parts.

OUR VISION2020

The dynamics of the industry are changing & evolving constantly. our endeavour is to stretch our reach to widen the customer partnership base, as per their geographical project-area spread. By 2020, We promise to be there with you, wherever you are, on the right time with the right product solution.

• We also look forward to introduce and offer more high-end technology products soon.

**WE FOCUS ON WORKING WITH A
COMMITMENT TO QUALITY
& CUSTOMER SERVICE
AND TO TAKE MHP
TO NEWER HEIGHTS.**

THE BERCO ADVANTAGE

(A Thyssenkrupp Group Company)

UNDERCARRIAGE ASSYS AND COMPLETE TRACK SYSTEM SOLUTION.

BERCO PRODUCT RANGE CONFIGURATION

BERCO, boasts of at least 11000 different configuration of heavy duty chains, more than 500 types of idlers, more than 1500 types of rollers, and more than 600 different configuration of sprockets & segments.

BERCO - QUALITY

BERCO is known for Superior engineering & technology, Innovation, comprehensive know-how and state-of-the-art manufacturing. Nearing 100 years of leadership & research makes Berco undercarriage the reference focal point in the field of construction equipment. Berco products are made to perform under low & high temperature versions of extreme applications and are unrivaled in terms of wear resistance, durability & technical content.

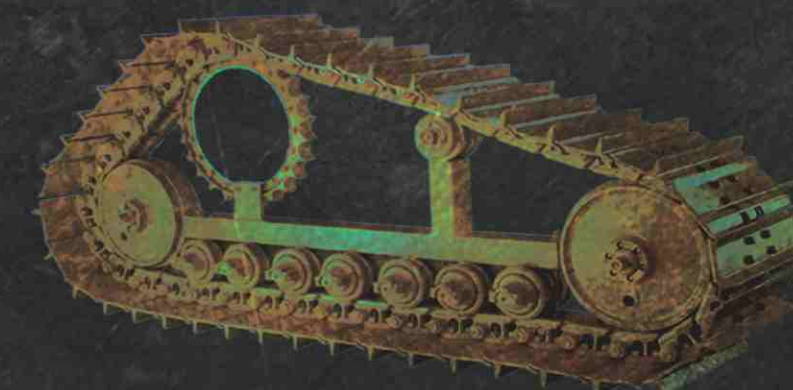
INNOVATION & NEW TECHNOLOGY INTRODUCTION

Berco believes in constant research & innovation by implementing new high end technology to improve on maximum life output from each of its product.

The introduction of -

1. BPR-2 & BPR-3, Berco Pin Retention system for high-end Dozers, provides perfect sealability for the track chains.
2. ROBUSTUS, the new Rotating Bush Track System, reduces friction & wear ensuring longer life for the products.
3. New Sealing System, "W" shaped Poly-urethane seal is especially designed to keep grease in the joints and keep abrasive particles out of the system.

The above implementation of new systems, for specific machines of specific application, helps to increase the track life by an approx. 35%, with a maximum of 6000 hours of operation without maintenance and thus cutting down on operation cost by almost 25%.



UNDERCARRIAGE PARTS

MHP UNDERCARRIAGE PARTS (Reliable and Economic solution)

MHP specializes in undercarriage assys and parts, mainly for excavators & dozers. Under the brand MHP, we cover equipments which are 20Tons and below category. This is to ensure economic & quicker solution to the buyers. The range covers, Track chains, Track shoe assys, Track rollers, Carrier rollers, Idler assys, Sprocket rims, Sprocket segments, Recoil springs, Track tensioner assys, Track fasteners.

MHP represents "BERCO" in India, for the Aftermarket business. Berco is the pioneer manufacturing company, since 1920, to produce undercarriage for almost all types of track mounted equipments.

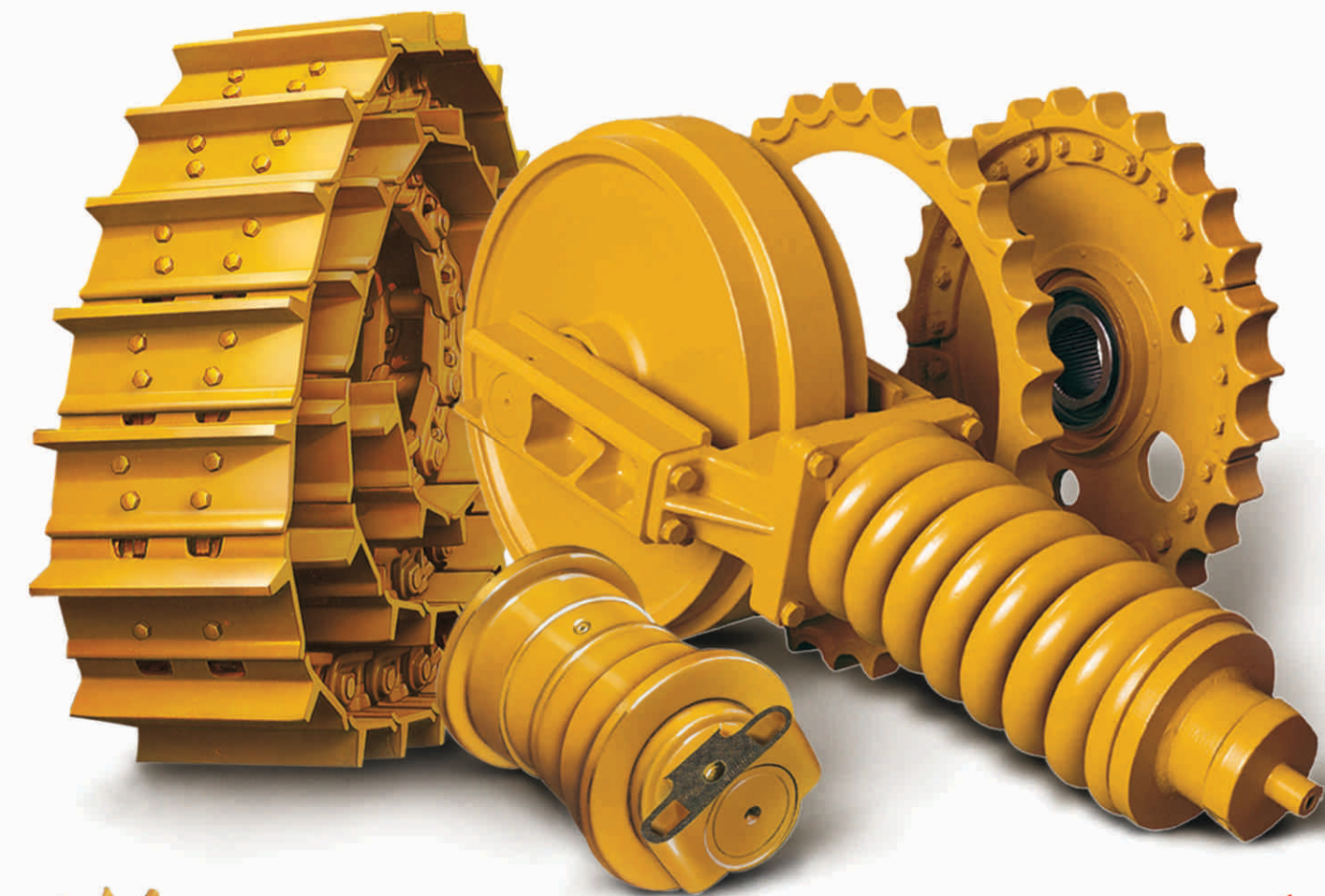
Berco product range is covered between wide range of applications-

MINI UNDERCARRIAGE- From 1.5 to 6 tons machines, covering chain pitch ranging from 90-135mm.

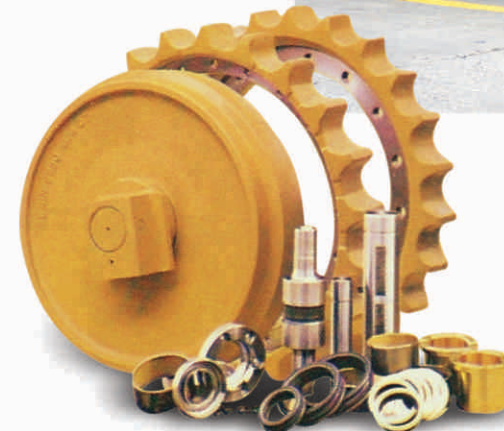
MEDIUM RANGE- From 7 to 50 tons machines, covering chain pitch ranging from 140-228.6mm.

MINING RANGE- From 50 to 400 tons machines, covering chain pitch ranging from 215.9-350mm.

Regular machines covered are- Excavators, Dozers, Pipe-layers, Track Mounted Drilling Rigs, Surface-miners. Special application machines covered are- Large conveyor systems, Milling machines, Forest machines, Road pavers, Apron feeders, Crushers etc.



**WE ARE KNOWN AS -
THE SPECIALIST
IN UNDERCARRIAGE**



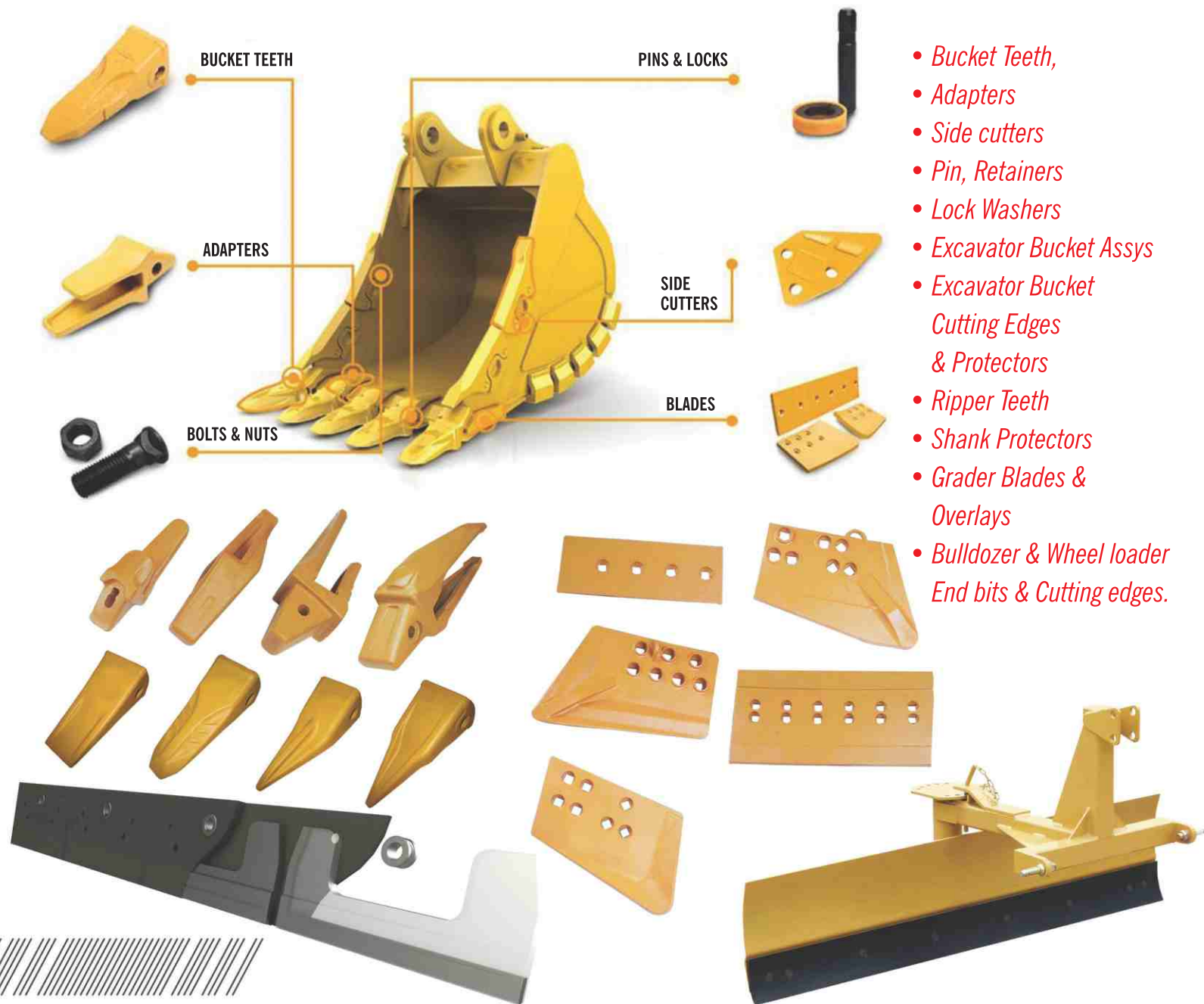
BRANDS WE DEAL IN FOR UNDERCARRIAGE PARTS



MHP

GROUND ENGAGING TOOLS & WEAR PARTS

MHP represents one of the most technologically advanced & reputed factories overseas to support India business of G.E.T & Wear parts. MHP brand of wear parts are produced ensuring optimum performance for various kinds of terrain and work environment in India, such as, Mining, Quarry, soft soil & abrasive surfaces or hard rock applications.

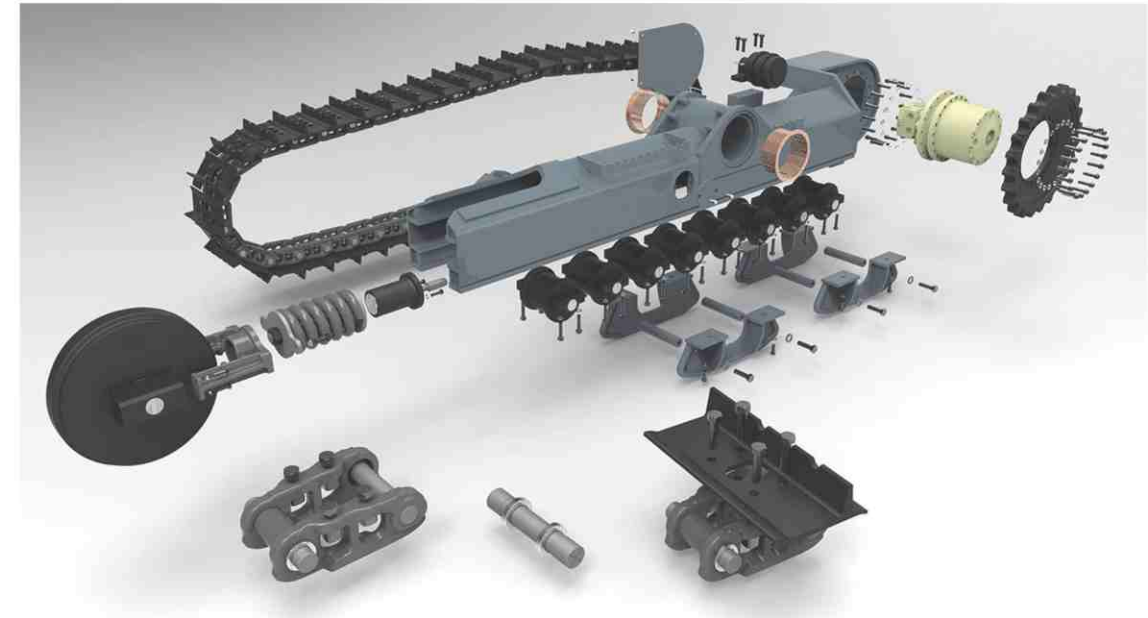


- Bucket Teeth,
- Adapters
- Side cutters
- Pin, Retainers
- Lock Washers
- Excavator Bucket Assys
- Excavator Bucket Cutting Edges & Protectors
- Ripper Teeth
- Shank Protectors
- Grader Blades & Overlays
- Bulldozer & Wheel loader End bits & Cutting edges.

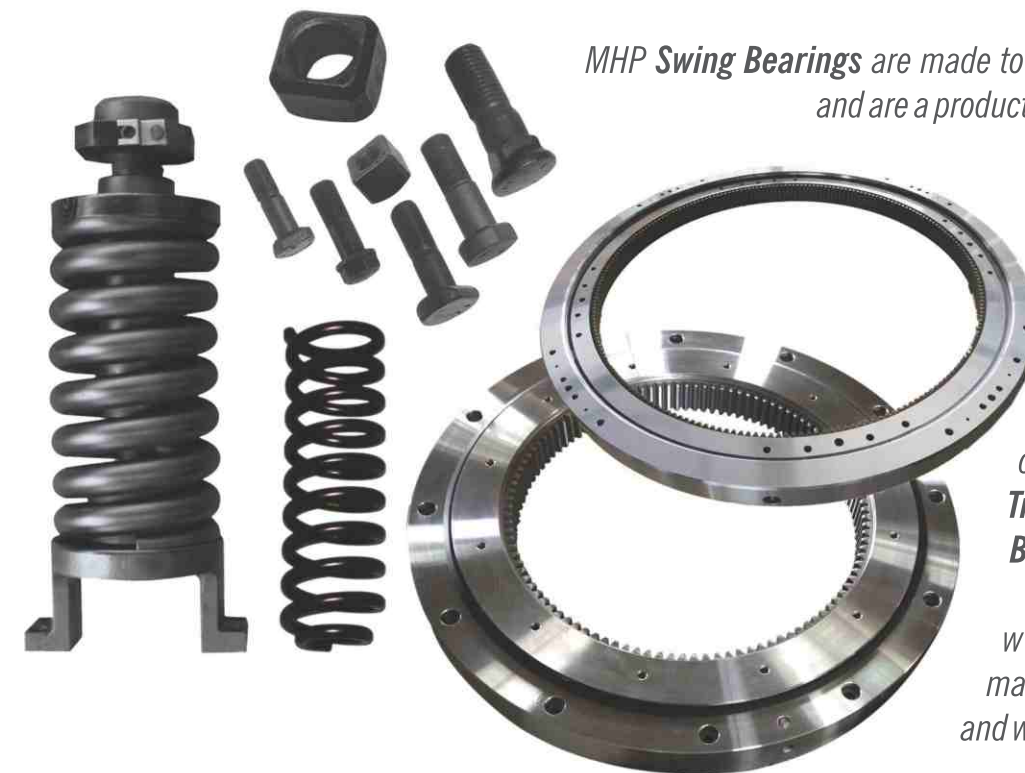
SWING BEARINGS, RECOIL SPRINGS, TRACK ADJUSTOR ASSYS, BOLTS & NUTS

Track Adjustor Recoil Springs are the most critical & hardest working components of a Tractor & Excavator undercarriage system.

They must constantly maintain the proper track tension, to avoid premature wear and extend the life expectancy of the track and idler systems. **MHP ensures the best, what your machine deserves.**



MHP Swing Bearings are made to pass through extreme test conditions and are a product of constant innovation and R&D.



The range covers the diameter from Min Diameter of 300mm to Maximum of 2500mm, covering machine capacity from 2T to 160T.

MHP also offers an extensive range of earth moving fasteners covering-Track Bolts, Segment Bolts And Plow Bolts & suitable matching nut.

we ensure the right product manufactured with high grade alloy steel and with proper hardness.

BRANDS WE DEAL IN FOR GROUND ENGAGING TOOLS & WEAR PARTS

MHP™

BRANDS WE DEAL IN FOR BOLTS

MHP™

www.mhpspares.com

HYDRAULIC MAIN PUMPS, SWING MOTORS, TRAVEL MOTORS AND PARTS

Under our Group company, APE, the No. 1 Distributor in Asia-Pacific, we claim to provide the most economical and fastest solution for any requirement of **JIC brand pumps** and motor parts, off the shelf.

JIC-Korea is one of the most popular, successful & widely accepted brand in Indian Earth moving & Mining industry, the undisputed leader since last two decades. With Master Depot in Bangalore, the largest stock point, we ensure to cater your needs, the best way possible.



PARTS FOR ENGINE & TRANSMISSION

Under our group companies, we provide parts solution for various kinds of engines fitted on Excavators, Dozers, Loaders.

Komatsu range- from S6D95 to S6D170

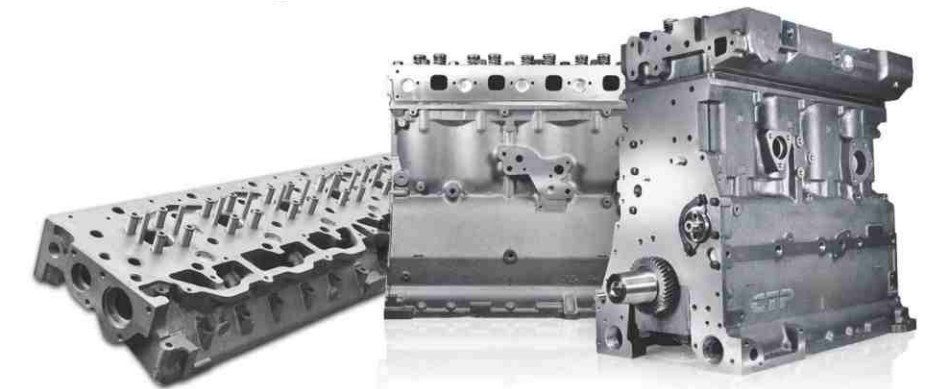
Caterpillar range- from 3100 series to 3500 series, Electronic C-series
(covered under FP brand from Federal-Mogul, ITR-Italy, CTP-USA)

For entire range of **Isuzu, Hino, John Deere** engines
(Fitted on Hitachi, Kobelco, JCB, Hyundai and SANY excavators)

Transmission range- Full range of parts mainly for Komatsu Dozers,
Hindustan Loaders, High-end Dumpers



THE HEART
of your machines
USE THE VERY BEST



www.mhpspars.com

BRAND WE DEAL IN

